



MOULDS**COLLECTION**

FOR EXTERIOR & INTERIOR
architectural concrete | **production moulds BTC**

BUYER'S GUIDE

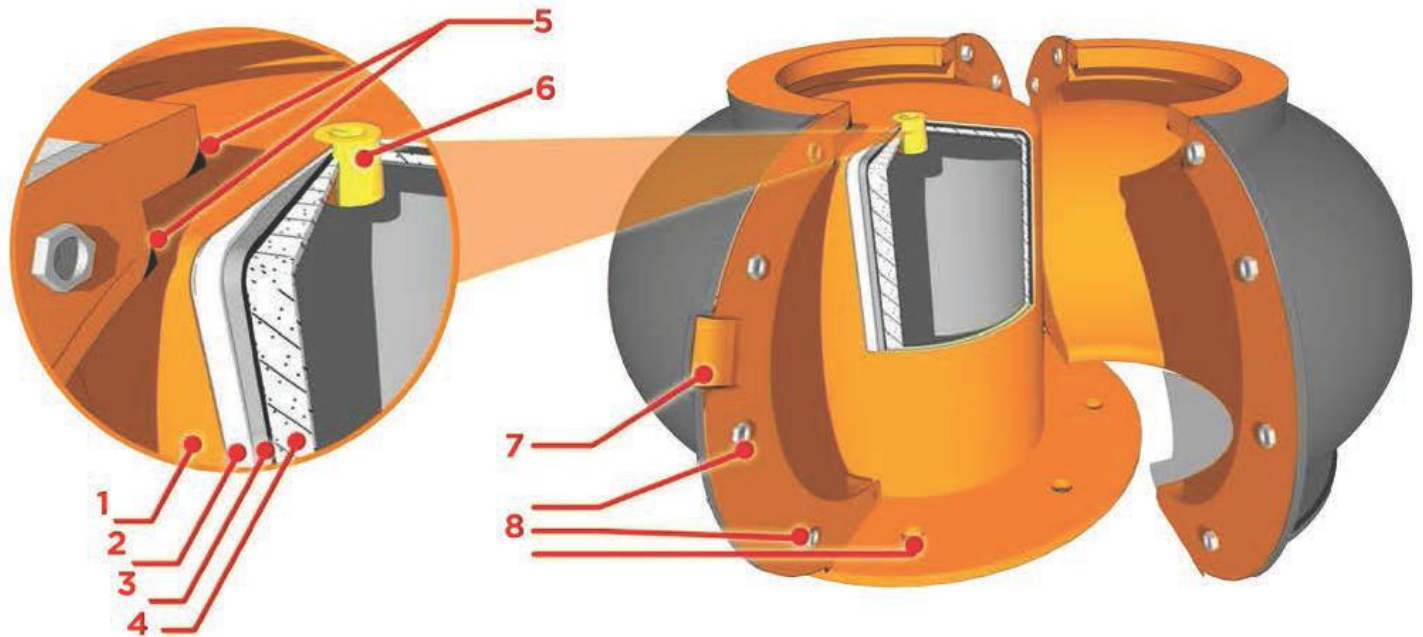
In Betontech.club we believe in the power of creativity, analyze the development of architectural trends through the prism of time, geography and style, in order to initially create elements that are combined in color, texture and shape. It is about creating adventurous projects that give individuality to the surrounding space. This philosophy is reflected in our new collection of landscaping elements. We offer a fresh and affordable range of unique shapes, which in addition to our past collections are able to revive and decorate any urban space, and make people's lives more comfortable and safer.



Alexander Goryachev. Designer.

BTC MOULDS ANATOMY

BTC moulds are designed for professional application in the field of production of small architectural forms of concrete. The moulds are made of high quality composite materials and meet all requirements applied to modern production tools. They are convenient, reliable and easy in operation.



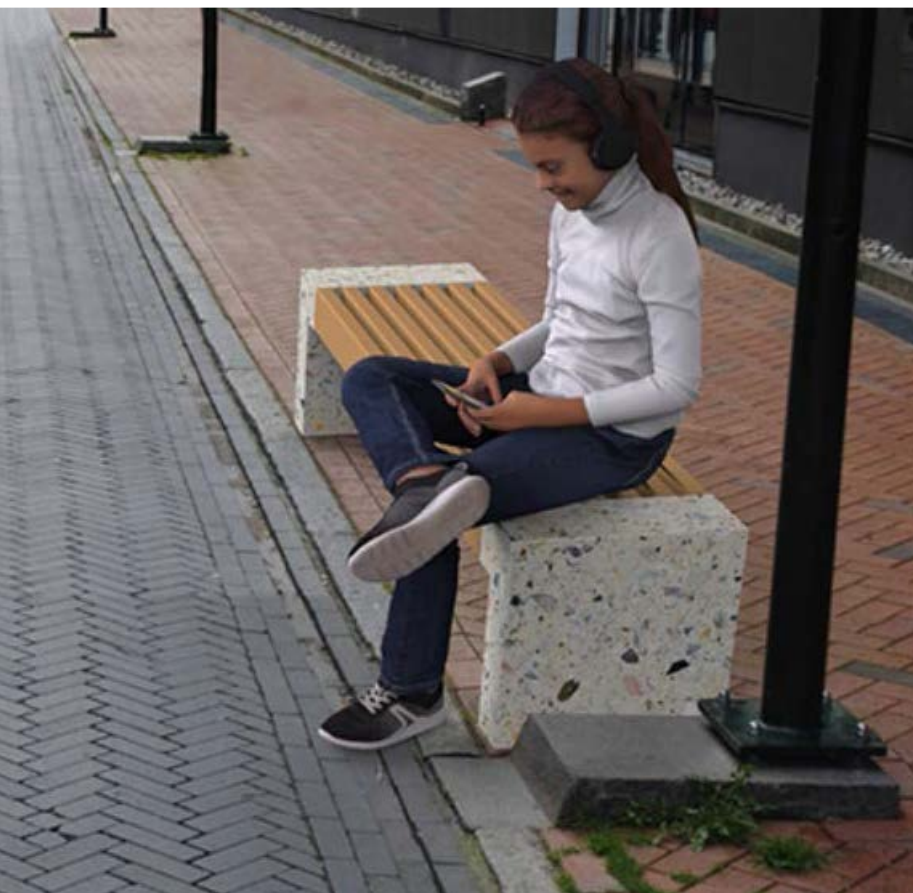
- 1 The protective vinyl ester-based layer creates a durable surface that has high resistance to chemicals, solvents, mechanical and thermal influences. Serves as an indicator for timely mold maintenance.
- 2 The barrier layer increases the strength characteristics of the mold, prevents from cracking and crazing, provides additional resistance to alkalis as well as to mechanical vibrations.
- 3 The structural layer forms the "body" of the mold. Has a perfectly smooth surface, provides the perfect evenness of the lines to the finished product
- 4 The reinforcing layer increases the strength and mold stability to alkalis and solvents, protects the body of the matrix from UV and water.
- 5 The filler increases the strength and toughness of molds. Prevents from chipping in the corners (places of molds bending)
- 6 Air puller pusher provides easy release of the product from the mold. The material of the puller is non-corrosive.
- 7 For gentle demoulding of finished products, molds are equipped with special/tech pocket
- 8 Production molds include convenient hardware to implement quick assembly and disassembly of the mold with the use of hand electric tools.

2 | BTC MOULDS



ADAPTABILITY AND CONVENIENCE

Betontech.club matrixes are modern and technologically-advanced. They are characterized by strength and durability. Moulds are easy to assemble and disassemble. Moulds are resistant to UV rays, water and aggressive chemical environments. Each mould is equipped with a quick release system that includes a convenient pusher and an additional air puller.



BEAUTY AND DURABILITY OF NATURAL STONE

Concrete products with exposed aggregate surface ideally suit to a simple urban architecture as well as to the landscape of the private territory. They are durable and retain an attractive appearance both in summer and in winter, it does not stick dust and dirt, they do not require repair and keep attractive appearance within decades. In our model line of moulds for concrete you will find compact models as well as moulds for large street elements.

3 | Details

ELEGANCE IN DETAILS



Superb uniform texture of natural stone will decorate any exterior and landscape. Marble, river pebbles, all kinds of crystals and even semi-precious stones like serpentine and golden quartz can be used as aggregates thus create unique and luxurious view.

All BTC elements can be combined with each other and form complete collections of elements, and with the use of special mortgage can be branded with a company name, logo of the district or city, heraldic symbols.



SMISETTI

4 | Collections of elements

INTEGRATED APPROACH

For the harmonious management of urban space BTC collection of elements has everything you need: comfortable ergonomic benches, litter bins, bicycle parking, bollards and planters for flowers and trees.

All BTC moulds provide perfect geometry to finished items of concrete, have chamfers around the perimeter to ensure safety of possible chipping or damages. Moulds for plants have an internal system of water retention, to prevent drying of the soil.

URBAN SPACEY

Example of use of the exterior elements Betontech.club
Typical urban scenery with elements of Betontech.club which create comfortable and safe urban environment



Varied in design, ergonomic and durable city benches for comfortable rest and waiting.



Multifunctional concrete Bicycle Parking installed in the zones of riding routes



Planters



Litter bins



Bollards



Street trees and flowers are important for the quality of life in the city. In BTC moulds collection there are variety of options: starting from small models ending with large trees planters.

City bins BTC not only solve the problem of civilized garbage collection in the city, but also complement its scenery with a bright accent, saving the functionality.

BTC bollards provide traffic safety. A variety of models and textures make a simple element of the road be an independent art object

5 | Production technologies



EGG

Size	Length	Width	Height
1	700 mm	600 mm	340 mm



COMPATIBILITY

BTC moulds are suitable for various production technologies: simple wet casting, semi-dry pressing, polished concrete, marble of oncrete, GRC. As well as for exposed aggregated concrete production technology in which the surface of the finished product is exposed by using of special chemicals called deactivators, which allow to expose the texture of natural stone on the surface of finished concrete product. If you want to learn this technology in BETONTECH.CLUB school of architectural concrete in St. Petersburg or Lebanon, visit our web site www.betontechclub.com.

«NATURAL ASPHALT»

Exposed aggregate concrete technology allows to implement large-scale projects in the field of paving and construction of sidewalks, bike paths, ramps, railway platforms. Due to the properties of natural stone concrete surface acquires the function of anti-slip and high resistance to abrasion, keeping an attractive appearance for many years.



6 | Moulds for planters

LILY

Size	Length	Width	Height
S	350 mm	350 mm	350 mm
M	590 mm	590 mm	450 mm



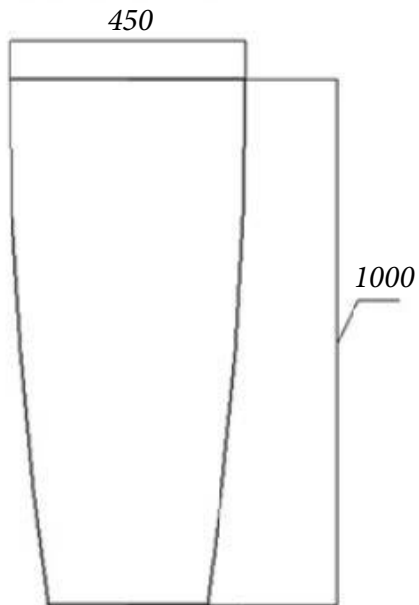
6 | Moulds for planters



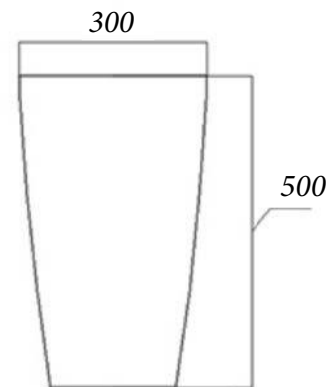
MARTA

Size	Diameter	Height
S	300 mm	500 mm
M	450 mm	600-1000 mm

MARTA M



MARTA S



6 | Moulds for planters



The shape of the MARTA series flowerpots is the refined rounded lines of tall planters, which are perfect for zoning in restaurants or beauty salons. They retain the feeling of free space and do not make it heavier.

The small-sized MARTA S pot is suitable for both beginners and advanced manufacturers of concrete products.

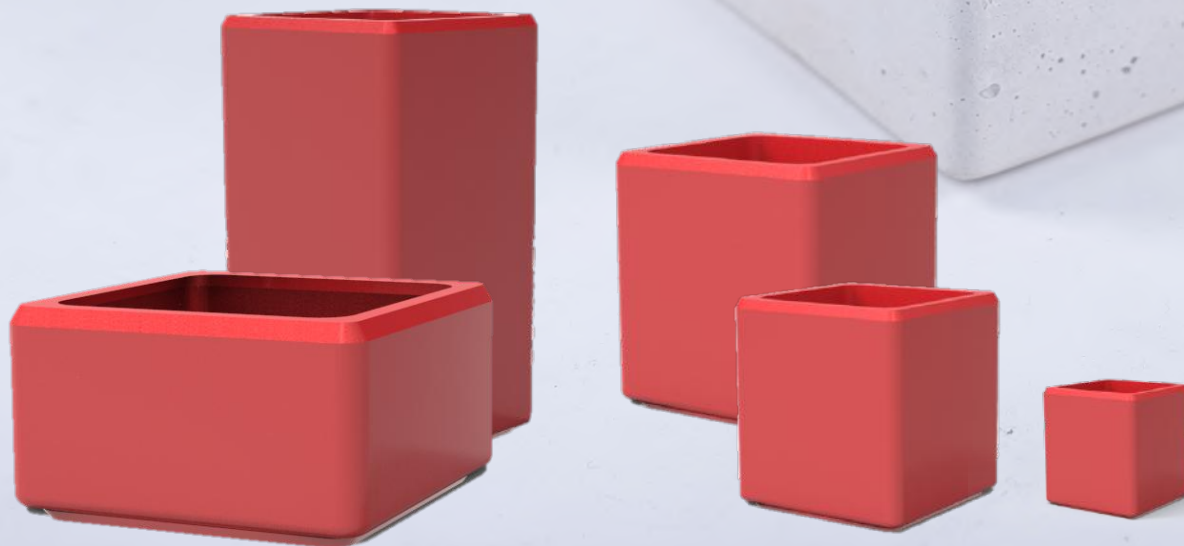
This model with relatively small dimensions is perfect for working out various formulations of the composition of the concrete mix and does not require special lifting equipment to handle it.

The weight of the finished product is about 30 kg.

6 | Moulds for planters

CUBA

Size	Length	Width	Height
XXS	200 mm	200 mm	210 mm
S	400 mm	400 mm	440 mm
M	555 mm	555 mm	595 mm
L	860 mm	860 mm	460 mm
H	440 mm	440 mm	800 mm



6 | Moulds for planters

CUBA is a minimalistic and stylish design made for decorating and zoning rooms, urban spaces, parks, squares, courtyards. Some models can serve as planters or bins. Precise protective chamfers along the edge give a finished and organic look.



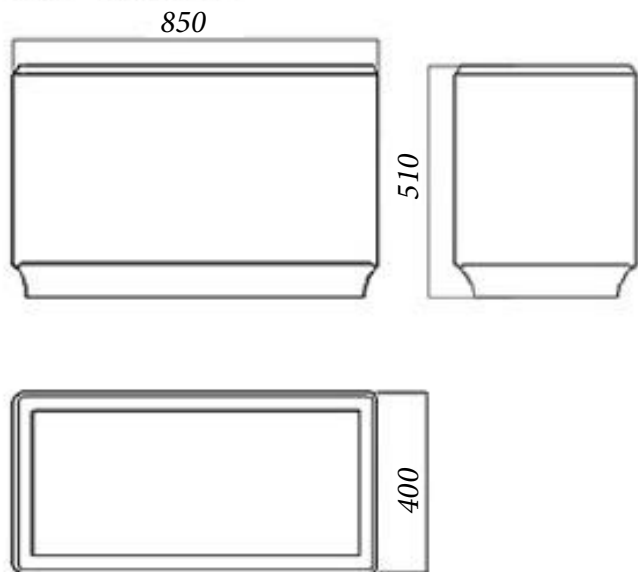
6 | Moulds for planters

JASMINE

Size.	Length	Width	Height
1	850 mm	400 mm	510 mm



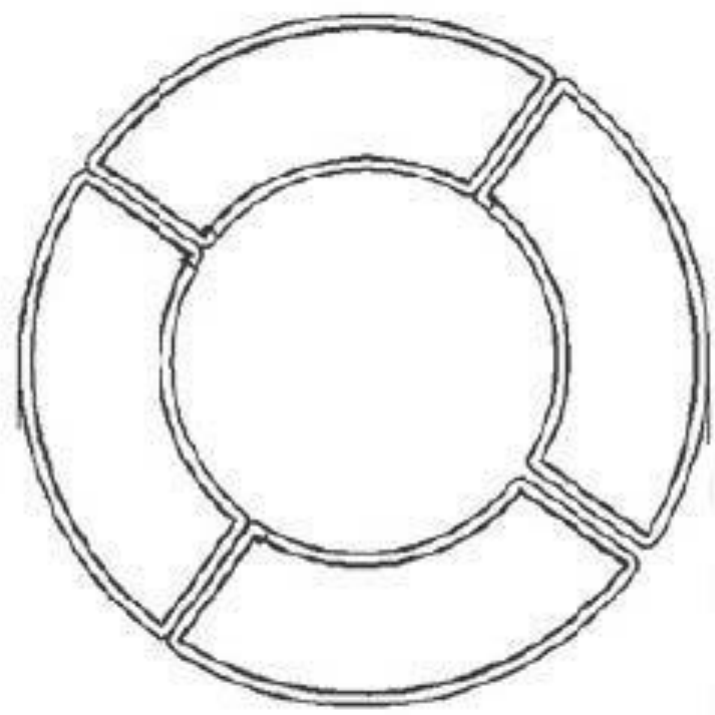
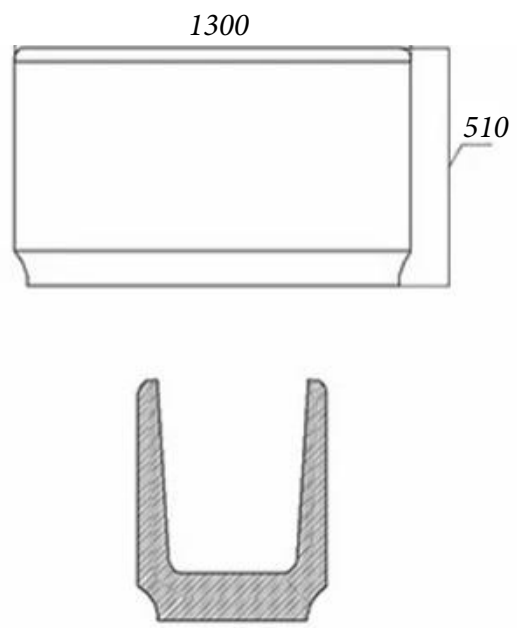
JASMINE



The rectangular shape of JASMINE planter or bench is perfect for decorating elongated spaces: paths, alleys, streets, perimeters of buildings. JASMINE perfectly matches with SOTA model: they are used to create multifunctional chains for the public spaces, and can serve as benches or planters.

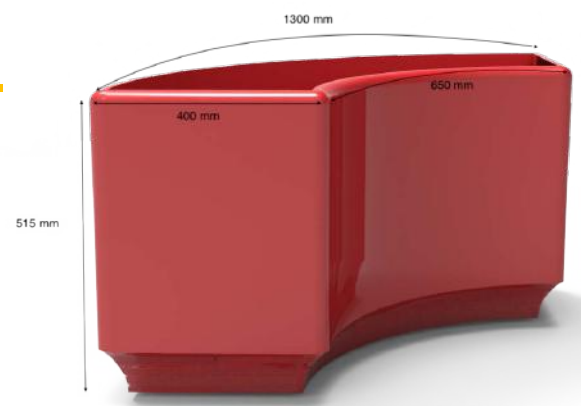


6 | Moulds for planters



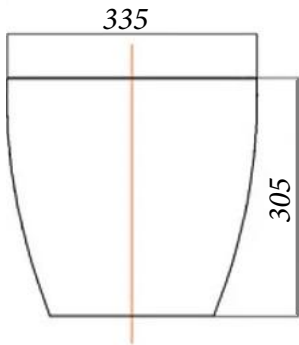
SOTA

Size	Length	Width	Height
1	1300 mm	400 mm	510 mm





6 | Moulds for planters



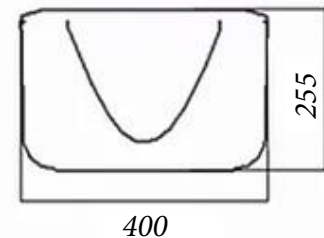
BONSAI

Size	Diameter	Height
1	335 mm	305 mm

If you want to have in your fleet of moulds a model with relatively small dimensions, which is suitable for working out various mix designs and which does not require special lifting equipment for handling it, then the BONSAI mould is your choice. Weight of concrete is just 20 kg

SMISETTI S

Size	Length	Width	Height
1	400 mm	400 mm	255 mm



6 | Moulds for planters



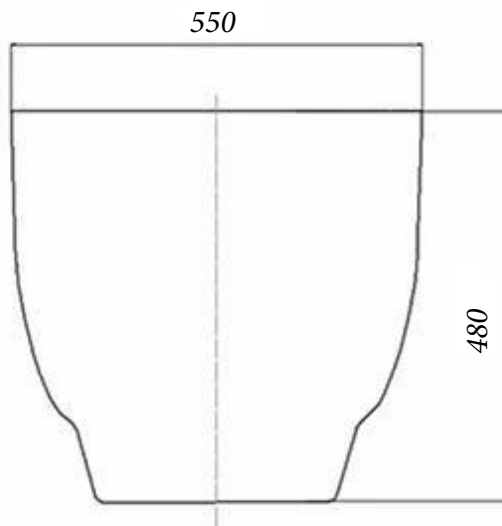
6 | Moulds for planters



LAURA

Size	Diameter	Height
1	550 mm	480 mm

LAURA





BETONTECH CLUB

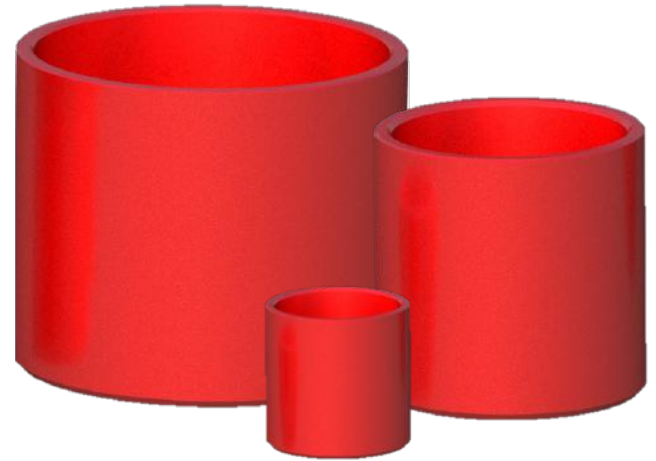


ЛАУРА

6 | Moulds for planters

CARLA

Size	Length	Width	Height
XS	300 mm	300 mm	250 mm
S	400 mm	400 mm	400 mm
M	600 mm	600 mm	500 mm



The minimalistic moulds CARLA flowerpots have a thin wall - 2.5 cm and are ideal for creating products made of ultra-high performance concrete.



6 | Moulds for planters

CARLA concrete flowerpots are especially well suited for modern minimalistic spaces, gardens – and of course for exteriors! The moulds of CARLA series have neat chamfers around the entire circumference, so that the products installed in public places and on private territory carry not only a practical function, but also were: safe; durable and aesthetic.



6 | Moulds for planters

MARINE

Size	Length	Width	Height
S	500 mm	500 mm	450 mm
M	500 mm	500 mm	600 mm
L	550 mm	550 mm	750 mm



6 | Moulds for planters



MARINE is a new series of flowerpots that organically fits into the space of various interiors and exteriors. Models of this series are perfectly combined with each other, forming green compositions. Due to the thin wall, the finished concrete product has a relatively low weight, which greatly facilitates the production process and handling.



6 | Moulds for planters

BONO

Length	Width	Height
800 mm	400 mm	440 mm



The rectangular shape of BONO planters is perfect for decorating elongated spaces: path-ways, alleys, streets, perimeters of buildings.



6 | Moulds for planters



LOTOS

Size	Length	Width	Height
M	645 mm	645 mm	320 mm
L	1000 mm	1000 mm	360 mm
XL	1200 mm	1200 mm	450 mm



6 | Moulds for planters



LOTOS XL
1200x450 mm

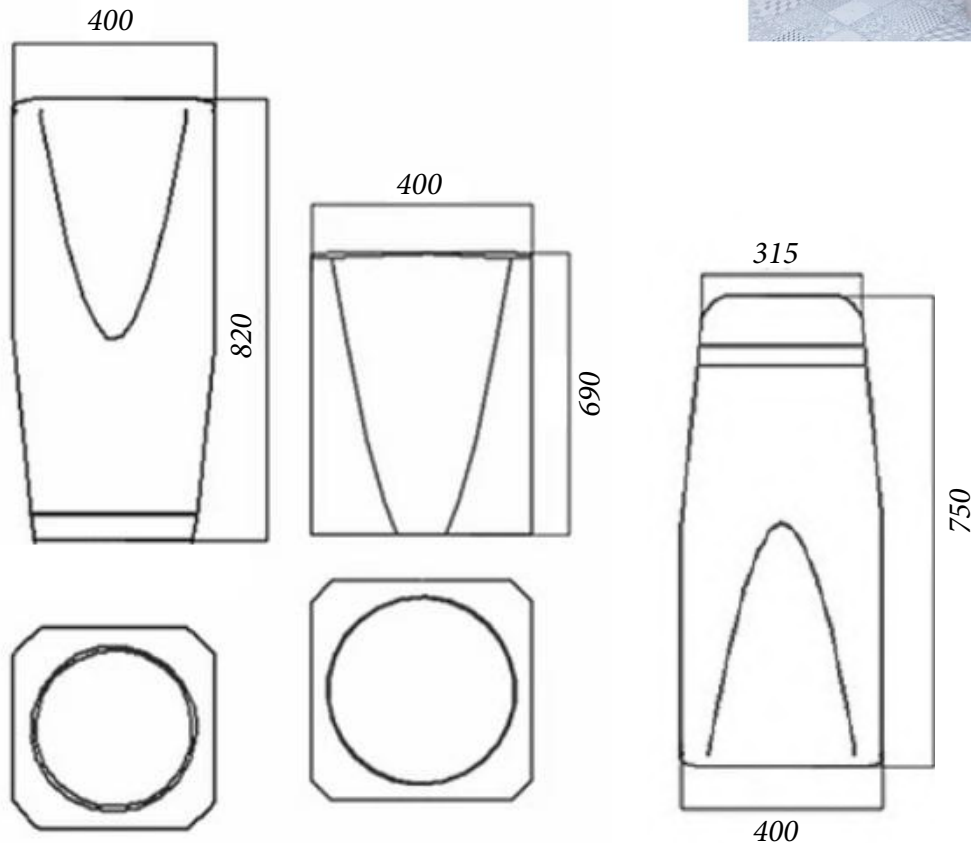
Before approving the dimensions and width of the upper part of the bowl for the **LOTOS XL** vase, we have developed and tested many design options in terms of convenience for manufacturers, safety for users, aesthetics and organicity for the surrounding space in which the products will be placed.

In addition to the quick-release stripping system, **LOTOS XL** mould equipped with shaped bottom for uniform distribution of moisture inside the flowerpot and nutrition of plant roots.

6 | Moulds for planters

SMISETTI TRANSFORMERS

Size	Length	Width	Height
2-in-1	400 mm	400 mm	690-820 mm
3-in-1	400 mm	400 mm	690-820 mm





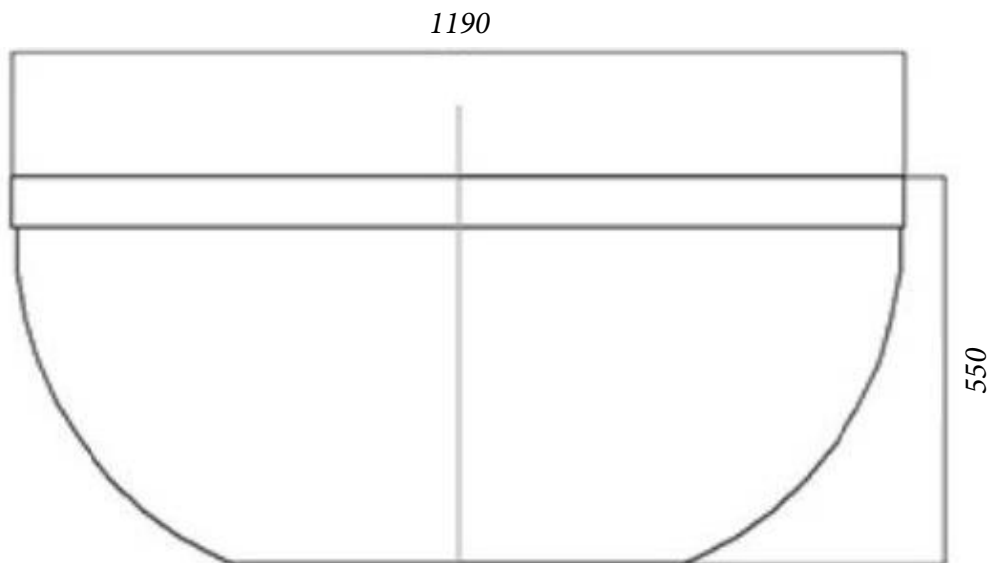
ONE MOULD ALLOWS TO
PRODUCE SOLID BOLLARDS
WITH VARIETY OF HEIGHTS



6 | Moulds for planters

SHERON

Size	Diameter	Height
1	1190 mm	550 mm



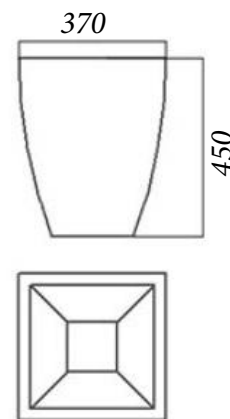
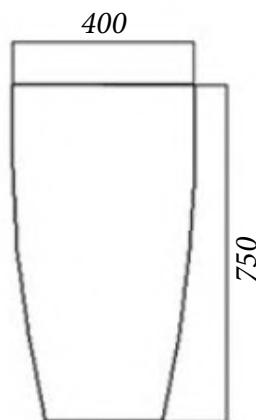
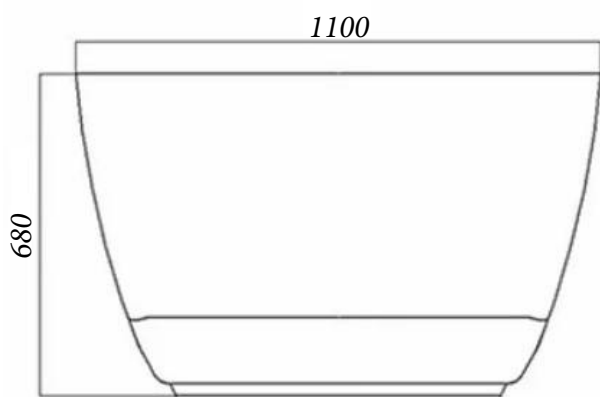
6 | Moulds for planters



6 | Moulds for planters

IRIS

Size	Length	Width	Height
S	370 mm	370 mm	450 mm
M	400 mm	400 mm	750 mm
XL	1100 mm	1100 mm	680 mm





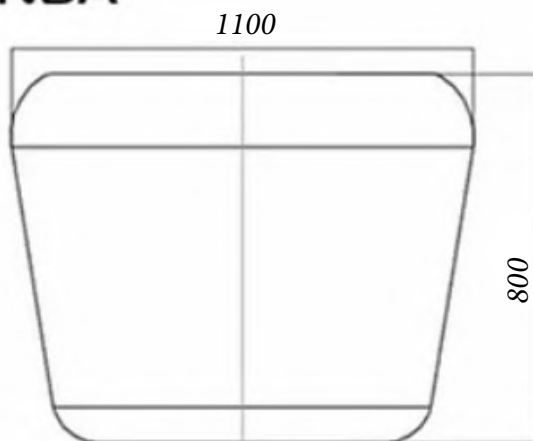
6 | Moulds for planters



FONDA

Diameter	Height
1100 mm	800 mm

FONDA

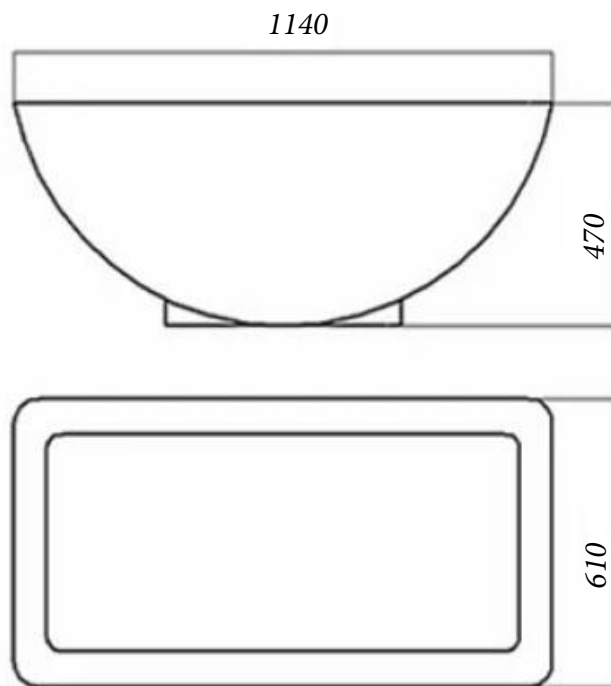




6 | Moulds for planters

NORMAN

Length	Width	Height
1140 mm	610 mm	470 mm





7 | Moulds for bollards

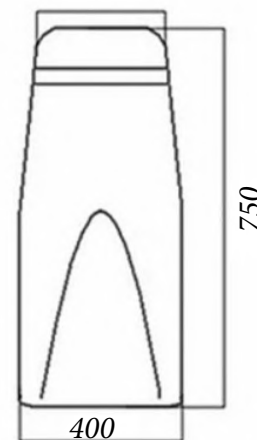
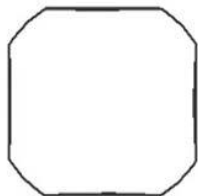
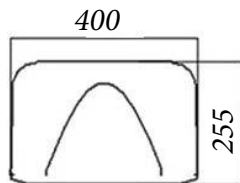
SMISETTI M

Length	WWidth	Height
400 mm	400 mm	750 mm



SMISETTI S

Length	Width	Height
400 mm	400 mm	255 mm





SMISETTI M bollard construction solution allows you to offer customers variety of heights of bollards using the same mould, which is an additional advantage of BTC moulds.



7 | Moulds for bollards

BALLS

Size	Length	Width	Height
S	210 mm	210 mm	210 mm
M	320 mm	320 mm	320 mm
L	500 mm	500 mm	500 mm
XL	600 mm	600 mm	600 mm
XXL	800 mm	800 mm	800 mm
XXXL	1000 mm	1000 mm	1000 mm
XXXXL	1200 mm	1200 mm	1200 mm

7 | Moulds for bollards



Concrete balls with diameters of 320 and 500 mm, made with the help of BTC moulds in the rammed earth technique by design studio IOTA Elias&Karim for installation at the Dubai Design Week exhibition in the United Arab Emirates

7 | Moulds for bollards



CREW

Length

360 mm

Width

360 mm

Height

800 mm

BOIL

Length

390 mm

Width

390 mm

Height

530 mm



7 | Moulds for bollards



8 | Moulds for litter bins

SMISETTI

Length	Width	Height
450 mm	450 mm	680 mm



Due to the alternation of visible edges in the litter bin model of **SMISETTI**, there are unlimited possibilities for combining textures are created. In the inner part of the product there is a ledge for fixing a metal or composite garbage collection container.





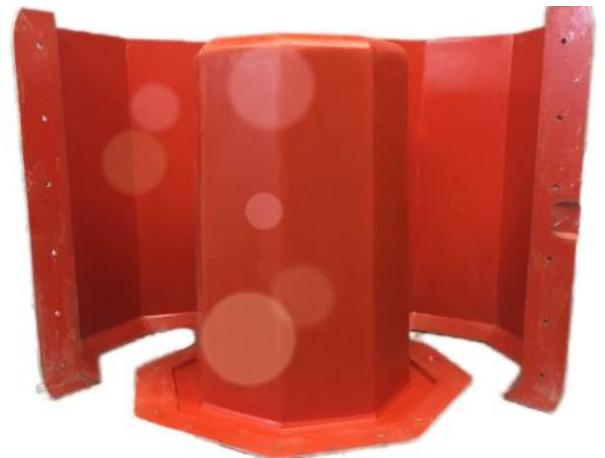
8 | Moulds for litter bins



BRUNO

Length	Width	Height
420 mm	420 mm	600 mm

BRUNO is a medium-sized urban litter bin in the shape of an octagon. The design of the mould provides possibility of branding concrete products with the manufacturer's brand name or designation of belonging to the city district.

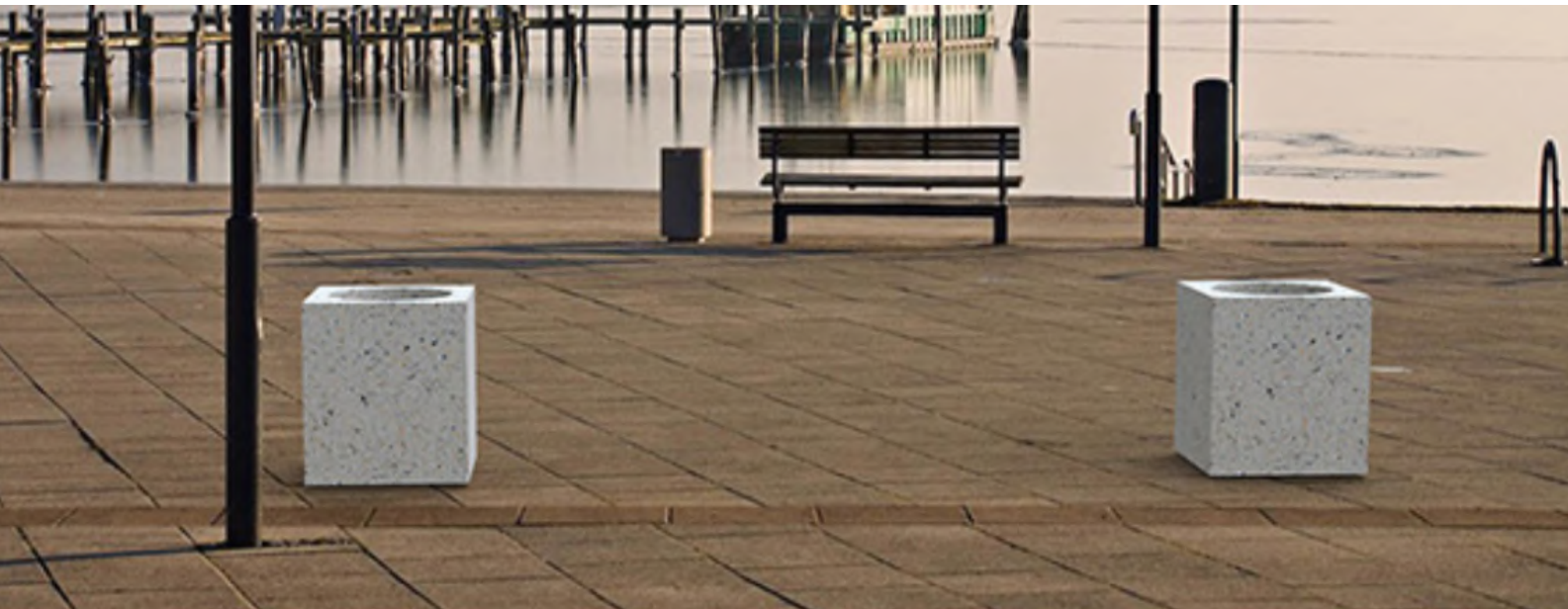
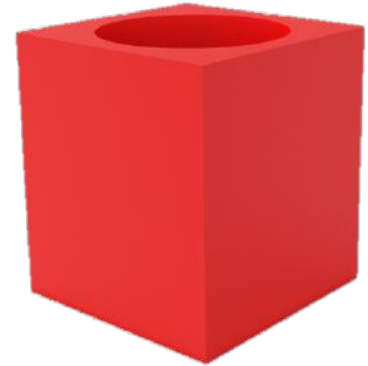


8 | Moulds for litter bins

QUADRO

Length	Width	Height
400 mm	400 mm	440 mm

QUADRO goes well with EURO CLASSIC and CORNER benches, thanks to the similar geometry. A ledge for the garbage collection container is provided in the inner part.



8 | Moulds for litter bins



QUADRO
400x400x440 mm

**EURO
CLASSIC**
450x200x450 mm

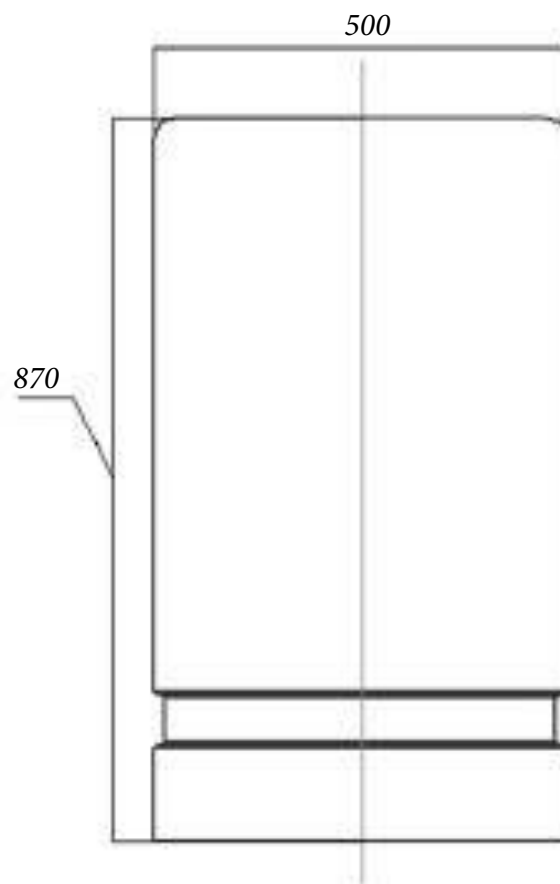
8 | Moulds for litter bins

BELLA

Diameter	Height
500 mm	870 mm

BELLA - from the Italian "beautiful" - is a large, monumental urban bin, every detail of which is thought out. For example, in the lower part of the mould there is a recess for installing a reflecting tape and attracting the attention of drivers and pedestrians at night, since very often the bins are used at gas stations and in recreational areas for drivers on highways.

Inside the form, there are mortgages for installing a top that will protect against rain, snow, bird access and wind scattering of garbage, as well as make the process of emptying the bin convenient for service personnel.





9 | Moulds for bench support

CORNER L



Length	Width	Height
470 mm	170 mm	450 mm

Due to its design, the CORNER L mould allows to get ready-made metal mortgages for placing a metal frame that carries wooden parts. The embedded parts remain in the concrete body while casting, so there is no need to drill the corresponding holes during installation.

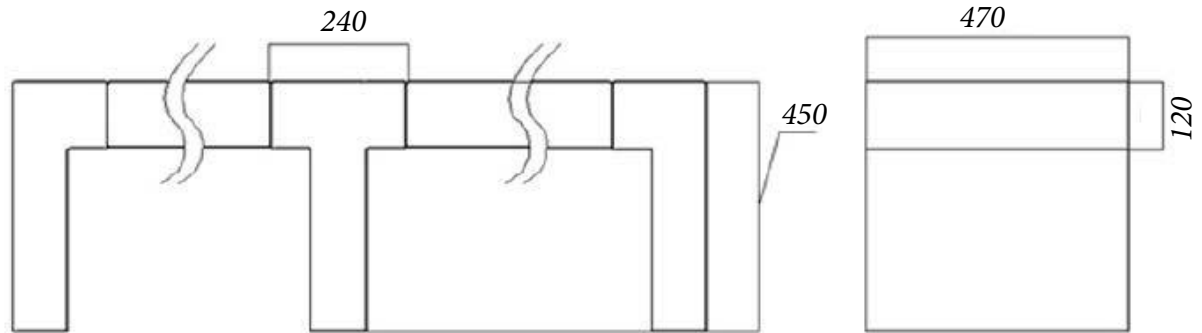
The CORNER T bench support in combination with the CORNER L support is a universal solution for creating benches of any length.



CORNER T

Length	Width	Height
470 mm	240 mm	450 mm

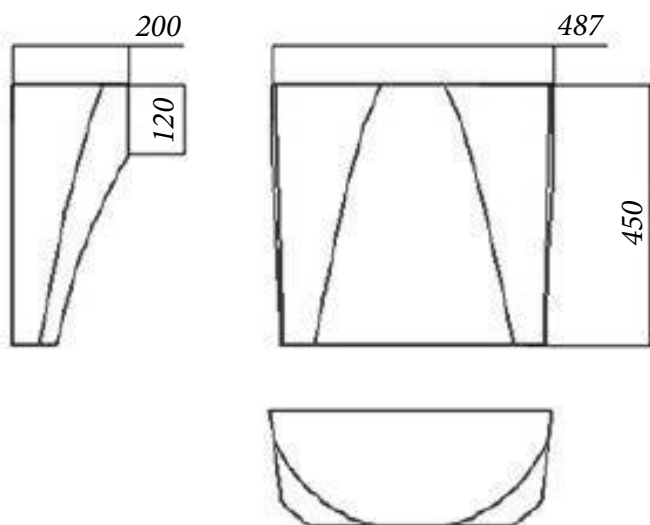
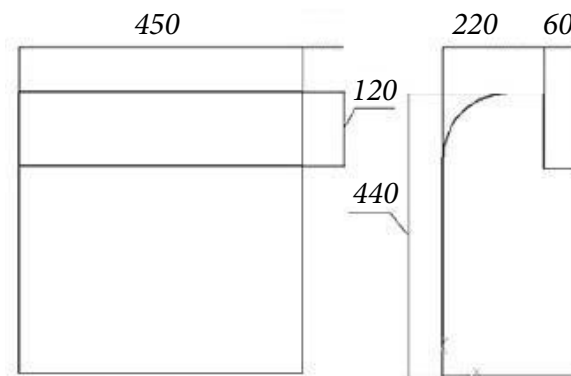
9 | Moulds for bench support



9 | Moulds for bench support

EURO CLASSIC

Length	Width	Height
450 mm	220 mm	440 mm



SMISSETTI BENCH

Length	Width	Height
487 mm	200 mm	450 mm



10 | New models

SOLO

Length	Width	Height
450 mm	330 mm	290 mm



SOLO has a very thin, elegant wall, and thanks to the new structure of the matrix, the product made using wet cast technology does not require further processing, since the surface does not have joining seams.



BYBLOS

Length	Width	Height
485 mm	485 mm	715 mm



BYBLOS planter/litter bin - is a new addition to our collection of concrete moulds, which brings a historical touch and has an affiliation with the architecture of one of the oldest cultures in the world. **BYBLOS** is an element of street architecture that combines several useful functions - aesthetic zoning of space and decoration of city streets.

GIN

Length	Width	Height
760 mm	760 mm	500 mm

The GIN is a multifunctional mould for architectural concrete, with which you can make several elements: fire bowl, flowerpot, traffic limiter, beach table (for casting the table top, a mould of polyurethane is available in the kit), support for a sun umbrella etc.

MARINE S



GIN



MARINE S + GIN





The collection of moulds for architectural concrete SEA-MARINE, which includes the GIN mould too, was first presented by the Betontech.club team to the public in the face of manufacturers of precast concrete and small architectural forms at the world's largest construction exhibition BAUMA, which was held in the German city of Munich.

10 | New models

ULTRA XS

Length	Width	Height
350 mm	350 mm	350 mm



10 | New models



The ULTRA XS concrete cocktail table is a unique architectural element, design of which was created taking into account ergonomics, durability and visual lightness.

10 | New models

ULTRA S

Length	Width	Height
800 mm	500 mm	450 mm



10 | New models



10 | New models



ULTRA M

Length	Width	Height
1600 mm	500 mm	450 mm

10 | New models

ULTRA L

Length	Width	Height
1600 mm	800 mm	800 mm

10 | New models



ULTRA L

**SAFE AND COMFORTABLE
URBAN ENVIRONMENT**

www.betontech.club